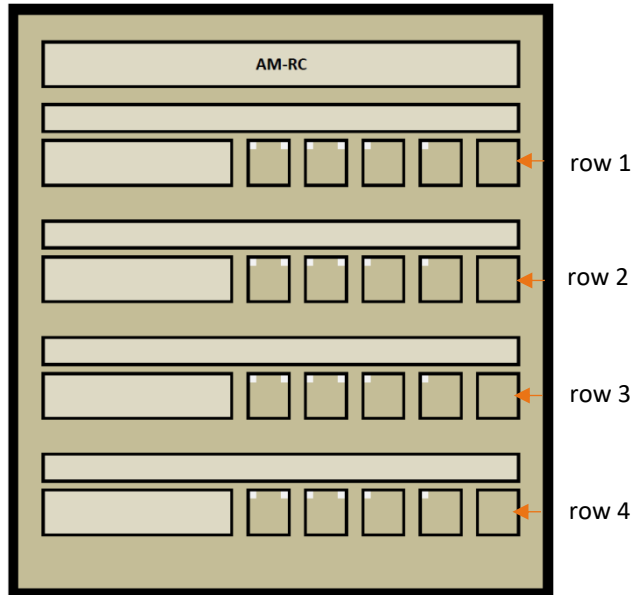
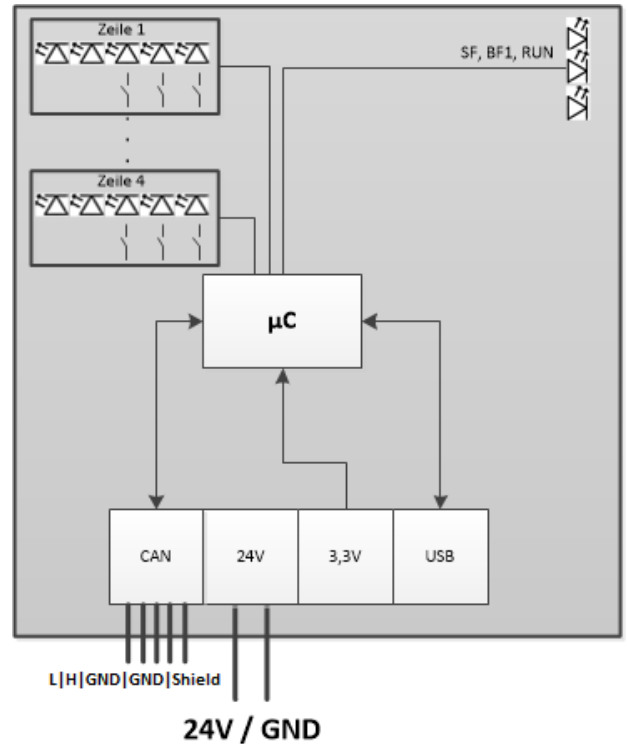


## Pin connection



## Principle circuit diagram



## 4-row-keypad

- external automatic/manual operation for A-M-Systeme peripherals
  - integrated local priority operating level - DIN ISO 16484
  - CANopen
  - can also applicable as signal panel
- 
- the CANopen keypad AM-RC (Remote Control) can be used to independently control of HOA operational status at AM-Series output units
  - the connection to the system technology occurs via CAN
  - the configuration of the AM-RC is done via an integrated USB port and a Windows PC tool
  - The marking is made by simple slide-in strips



**Description**

Description	Item no.
AM-RC	AM-RC

**Certification**

conformity marking	CE
CANopen	in preparation
RoHS	yes

**Technical data**

Voltage supply	24 VDC
power input (System)	Ca. 200 mA
data	4 x 1 Byte data IN 4 x 1 Byte data OUT 4 x 1 Byte status/error
width x high x depth	168 x 168 x 69 mm
weight	0,42 kg
ambient temperature (operation and storage)	-20 °C ... 55 °C
permissible humidity (operation and storage)	5 % ... 75 % (non-condensing)
degree of protection	IP20 (back side) IP44 (front side)
mounting position	any
wire cross-section	0,25 mm <sup>2</sup> ... 2,5 mm <sup>2</sup>
wire cross-section (AWG)	24 ... 12
mechanical tests	EN 60068-2-6/ IEC 60068-2-6
pull-off force	Ca. 18,4 N
type of connection	screw terminal
type of installation	directly

**Regulation**

EMC	EN 60730-1:2012-10 EN 61000-6-3:2007-9 EN 61000-6-1:2007:10
low voltage directive	2006/95/EC

